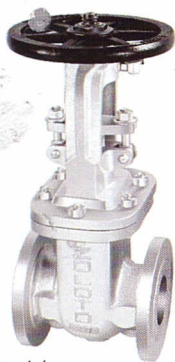


Art. No.
1077



ZOLOTO®
CAST STEEL
GATE VALVE
Class-150
(Flanged)

SALIENT FEATURES :

- Design Standard BS 1414/ API 600.
- Bolted bonnet, Outside screw, Yoke type, Rising stem.
- Renewable S.S 13% Cr. (AISI 410) working parts.
- Hand wheel operated.

SUITABLE FOR

| | | | | |
|-------|-------|-----|-----|-------|
| Steam | Water | Oil | Air | Gases |
| ◆ | ◆ | ◆ | | |

MATERIALS :

| Name of Part | Material | Specification |
|----------------|----------------------|------------------------------------|
| Body & Wedge | Cast Steel | ASTM A216 Gr. WCB |
| Bonnet | Cast Steel | ASTM A216 Gr. WCB |
| Gland | Stainless Steel | AISI 410 |
| Hand Wheel | C.S/ M.I | ASTM A 216 Gr.WCB/ IS 14329 BM 300 |
| Locking Bush | Stainless Steel | AISI 410 |
| Sleeve | S.S/ Nodular Iron | AISI 410/ ASTM A 439 D2 |
| Eye Bolt | Stainless Steel | AISI 410 |
| Gland Flange | Cast Steel | ASTM A 216 Gr. WCB |
| Gland Packing | Braided Graphite | IS 4687 |
| Sleeve Nut | Stainless Steel | AISI 410 |
| Back Seat Bush | Stainless Steel | AISI 410 |
| Stud | Alloy Steel | ASTM A193 Gr. B7 |
| Nut | H.T Steel | ASTM A194 Gr. 2H |
| Gasket | Steam Jointing Sheet | IS 2712 Gr. W/3 |
| Stem | Stainless Steel | AISI 410 |
| Body Seat Ring | Stainless Steel | AISI 410 |
| Weld Deposit | Stainless Steel | AISI 410 |
| Wedge Ring | | |
| Grease Nipple | Carbon Steel | BS 1486 |

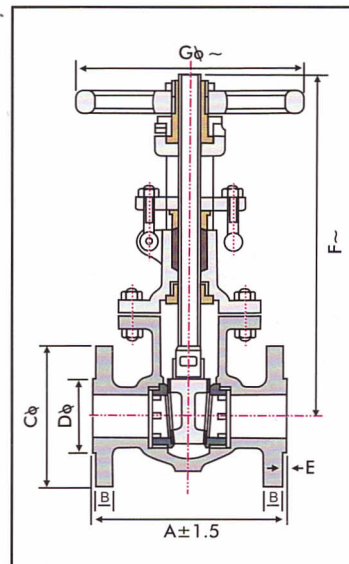
SIZE:

| Inches | mm | A | B | C | D |
|--------|-----|-----|------|-----|-------|
| 1½ | 40 | 165 | 14.3 | 127 | 73 |
| 2 | 50 | 178 | 16 | 152 | 92 |
| 2½ | 65 | 190 | 17.5 | 178 | 104.8 |
| 3 | 80 | 203 | 19 | 190 | 127 |
| 4 | 100 | 229 | 23.8 | 229 | 157.2 |
| 5 | 125 | 254 | 24.0 | 254 | 185.7 |
| 6 | 150 | 267 | 25.4 | 279 | 216 |
| 8 | 200 | 292 | 28.6 | 343 | 270 |

SIZE:

| Inches | mm | E | F | G |
|--------|-----|-----|-----|-----|
| 1½ | 40 | 1.6 | 330 | 210 |
| 2 | 50 | 1.6 | 340 | 210 |
| 2½ | 65 | 1.6 | 395 | 210 |
| 3 | 80 | 1.6 | 430 | 225 |
| 4 | 100 | 1.6 | 521 | 255 |
| 5 | 125 | 1.6 | 568 | 255 |
| 6 | 150 | 1.6 | 666 | 356 |
| 8 | 200 | 1.6 | 783 | 400 |

DIMENSIONS:



Test Pressure (Hydraulic) Shell : 29kg/cm²g (425psig) Seat (Steam) : 10.55kg/cm²g (150psig) Max. Working Temperature : 425°C

Art. No.
1078

1078A
1078B
1078C



ZOLOTO®
CAST IRON
BUTTERFLY VALVE
(Wafer Type)

SALIENT FEATURES :

- Design Standard BS 5155 & IS 13095.
- Wafer Type.
- Lever/ Gear operated.
- Compatible to be inserted between flanges as per BS 10 Table D, E, F, H, DIN, PN10, PN16, PN25, PN40, ASA 150, ASA 300, IS 778, IS 6392 Table 17 & IS 1538.

SUITABLE FOR

| | | | | |
|-------|-------|-----|-----|-------|
| Steam | Water | Oil | Air | Gases |
| | ◆ | | | |

Body lining can also be supplied with NEOPRENE/ VITON/ SILICON/ BUNA N & Disc of S.S AISI 316 at a nominal extra price.

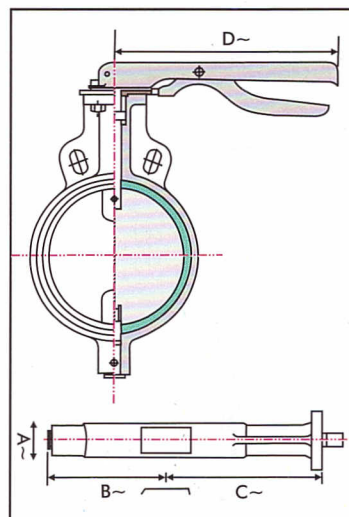
MATERIALS :

| Name of Part | Material | Specification |
|----------------------|--------------------|------------------------------------|
| Flow Control Lever | Carbon Steel | IS 2062 |
| Notch Plate | Carbon Steel | IS 2062 |
| Counter Sunk | Carbon Steel | IS 1367 |
| Screw & Nut | | |
| Upper Stem Bush | PTFE | BS EN 12086-1 |
| Body | C.I/ S.G Iron | IS 210 Gr. FG 200/ ASTM A 536 |
| Upper Stem | Stainless Steel | AISI 410 |
| Taper Pin | Stainless Steel | AISI 304 |
| Body Lining | EPDM/ Nitrile | IS 5192-1 |
| Disc | C.I/ S.S/ S.G Iron | IS 210 FG 200/ AISI 304/ ASTM A536 |
| Identification Plate | Aluminium | BS EN 10154 |
| Lower Stem Bush | PTFE/ Bronze | BS EN 12086-1/ IS 318 LTB 2 |
| 'O' Ring | Nitrile Rubber | IS 5192-1 |
| Lower Stem | Stainless Steel | AISI 410 |
| Spring Pin | Carbon Steel | BS 1574 |

SIZE:

| Inches | mm | A | B | C | D |
|--------|-----|-----|-----|-----|-----|
| 1½ | 40 | 37 | 47 | 88 | 260 |
| 2 | 50 | 43 | 65 | 98 | 260 |
| 2½ | 65 | 46 | 74 | 110 | 260 |
| 3 | 80 | 48 | 82 | 117 | 260 |
| 4 | 100 | 52 | 102 | 148 | 260 |
| 5 | 125 | 56 | 122 | 158 | 260 |
| 6 | 150 | 56 | 144 | 177 | 260 |
| 8 | 200 | 60 | 169 | 235 | |
| 10 | 250 | 68 | 214 | 259 | |
| 12 | 300 | 78 | 249 | 284 | |
| 14 | 350 | 92 | 280 | 320 | |
| 16 | 400 | 102 | 300 | 350 | |
| 18 | 450 | 114 | 330 | 396 | |
| 24 | 600 | 148 | 440 | 510 | |

DIMENSIONS:



PN10 - Max. Working Temp. : 90°C Max. Working Pressure : 10bar Shell Test Pressure (Hydraulic) : 15bar Seat Test Pressure (Hydraulic) : 11bar

PN16 - Max. Working Temp. : 90°C Max. Working Pressure : 16bar Shell Test Pressure (Hydraulic) : 24bar Seat Test Pressure (Hydraulic) : 17.6bar